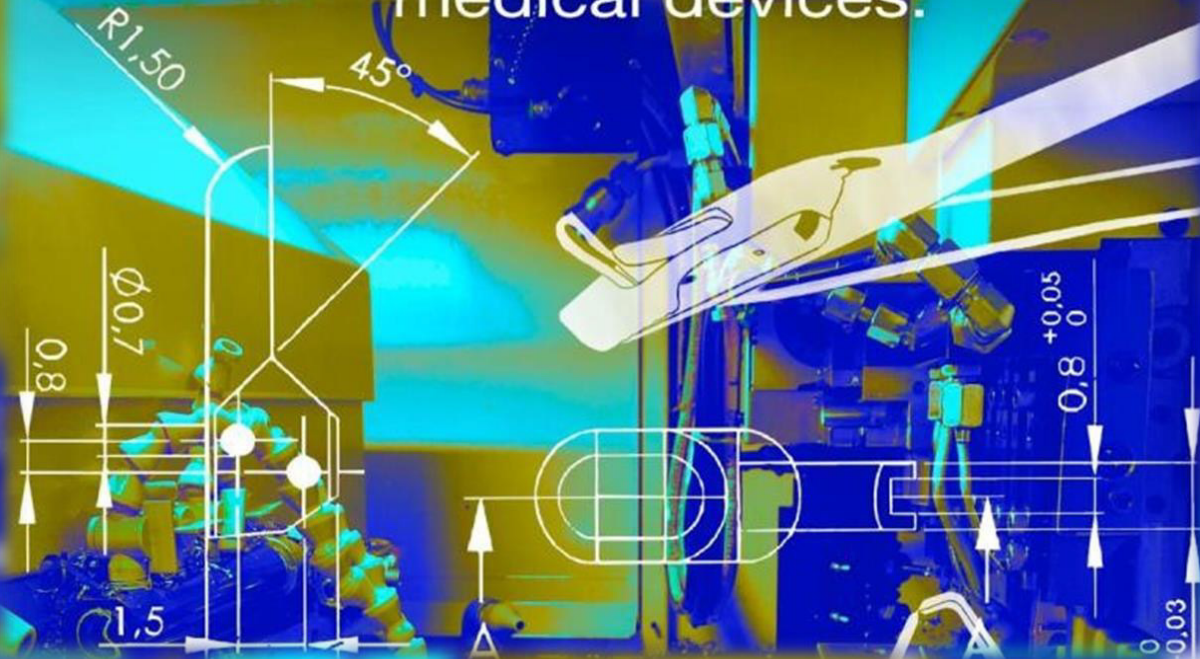


# DOPPKON.de

medical devices.





**About DOPPKON**

From the very beginning through development to serial production, we accompany you with innovative input. We are developing **medical devices** with holistic thinking that integrates aspects relevant to quality and production.

As a fully equipped engineering office with modern and powerful software tools, we develop innovative, sophisticated and tailor-made product solutions.

The manufacturing of test-capable prototypes during development stage, function patterns, production of single parts and assembly of surgical instruments take place directly in our company.

Modern equipment and craftsmanship enable us to manufacture medical devices of high quality during the stage of serial production – completely **made in Germany!**



**PRODUCT DEVELOPMENT**  
**CAD CONSTRUCTION**      **RAPID PROTOTYPING**  
**SERIAL PRODUCTION**



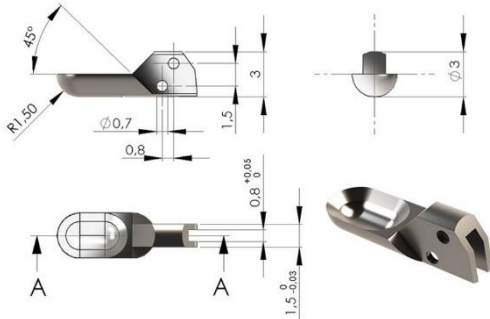
**Service Portfolio**



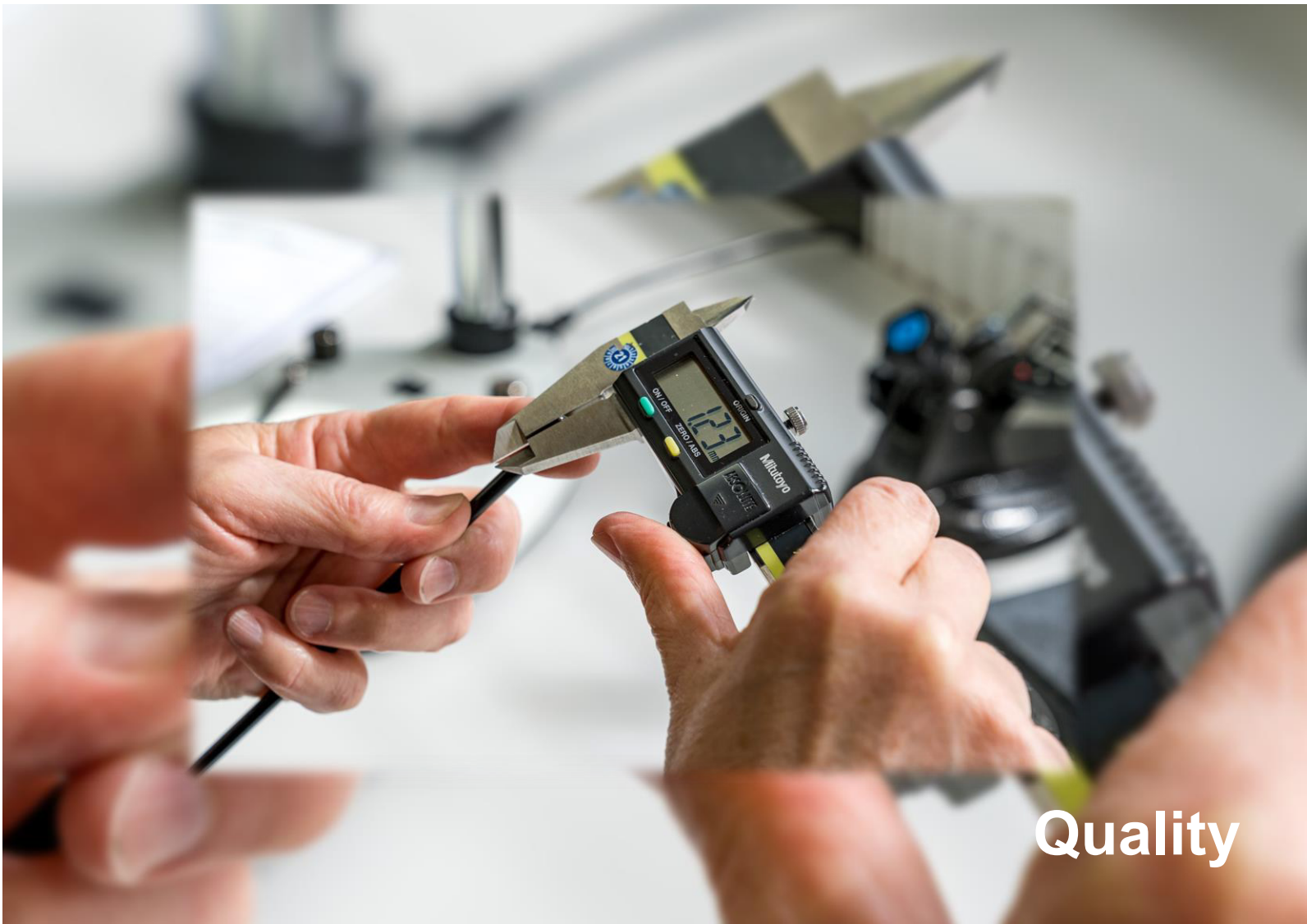
Our range of **services** embraces

- **Research & Development**
- **3D Construction**
- Manufacturing of **Prototypes**
- **Serial Production** of Medical Devices

We support you to realize or optimize a product – from the first idea until market maturity. Further, we offer manufacturing possibilities and know-how for serial production.



**DOPPKON GmbH & Co. KG**



Quality

**Quality** is the ultimate ambition of our services. We strive for continuous development and improvement in our company.  
Every employee contributes to the exceptional quality of our products – by knowledge, mindfulness and responsibility.

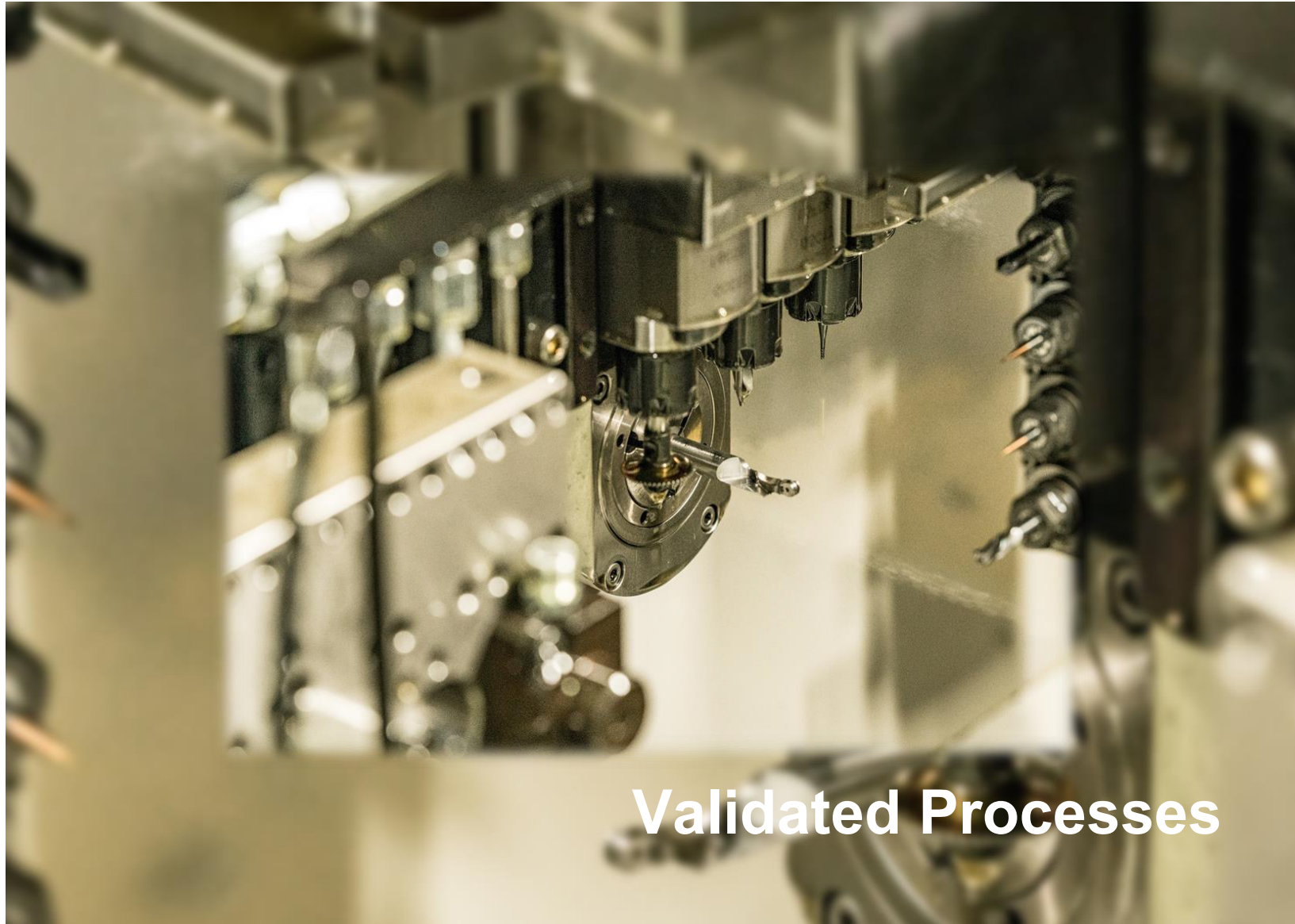
Traceability of components until raw material, validated processes that ensure an optimal production and manufacturing flow and trained employees are a matter of course.

All parts, assemblies and finished products underlie several stages of checks to ensure highest quality.

Our Quality Management is certified according to **DIN EN ISO 13485**.



DOPPKON GmbH & Co. KG



**Validated Processes**

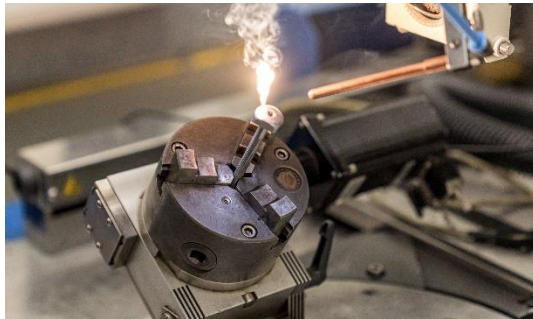


We implemented all important processes in order to have full control of our product quality. All processes are monitored, validated or verified by regular inspection.

Our inhouse processes are

- **Manual Manufacturing**
- **Grinding and Polishing**
- **CNC Turning and Milling**
- **Laser Welding**
- **Laser Marking**
- **Injection Molding**
- **Electroplating**
- **Gluing**

We continuously enlarge our process landscape.





# Product Portfolio



Our experience with development projects is as large and diverse as the field of Medical Technology itself. Next to our service offer of developing new products or optimize existing ones, we offer also a large product portfolio within the areas of

- **Spine Surgery**
- **Arthroscopy**
- **Gynecology**
- **Urology**
- **Hysteroscopy**
- **Laparoscopy**

Please contact us for further information.



**DOPPKON GmbH & Co. KG**

Einsteinstraße 30  
78549 Spaichingen  
GERMANY

T 0049.7424.94798.22

F 0049.7424.94798.23

[info@doppkon.de](mailto:info@doppkon.de)

[www.doppkon.de](http://www.doppkon.de)